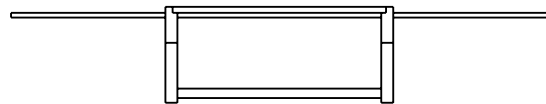
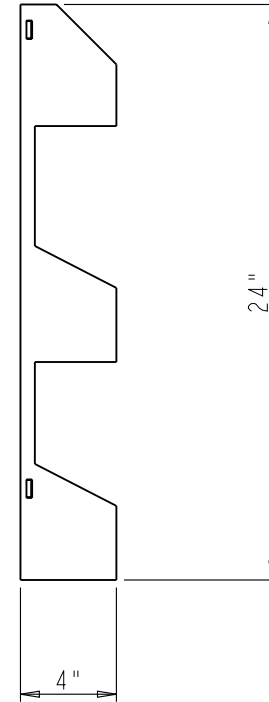
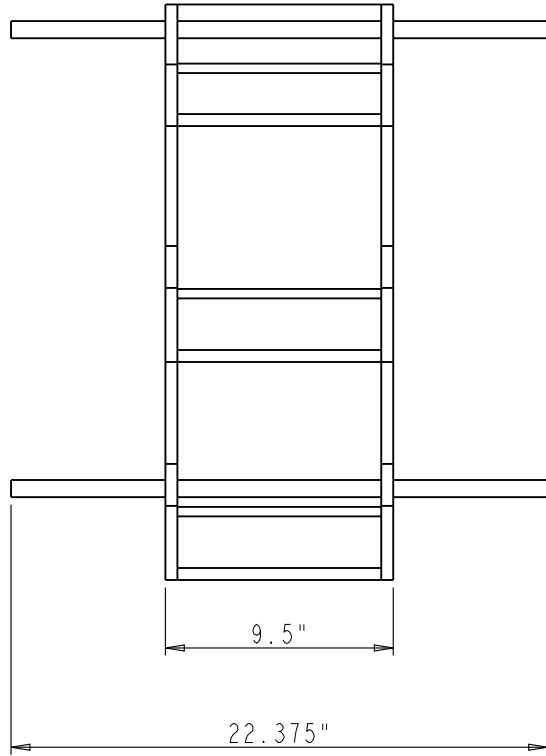
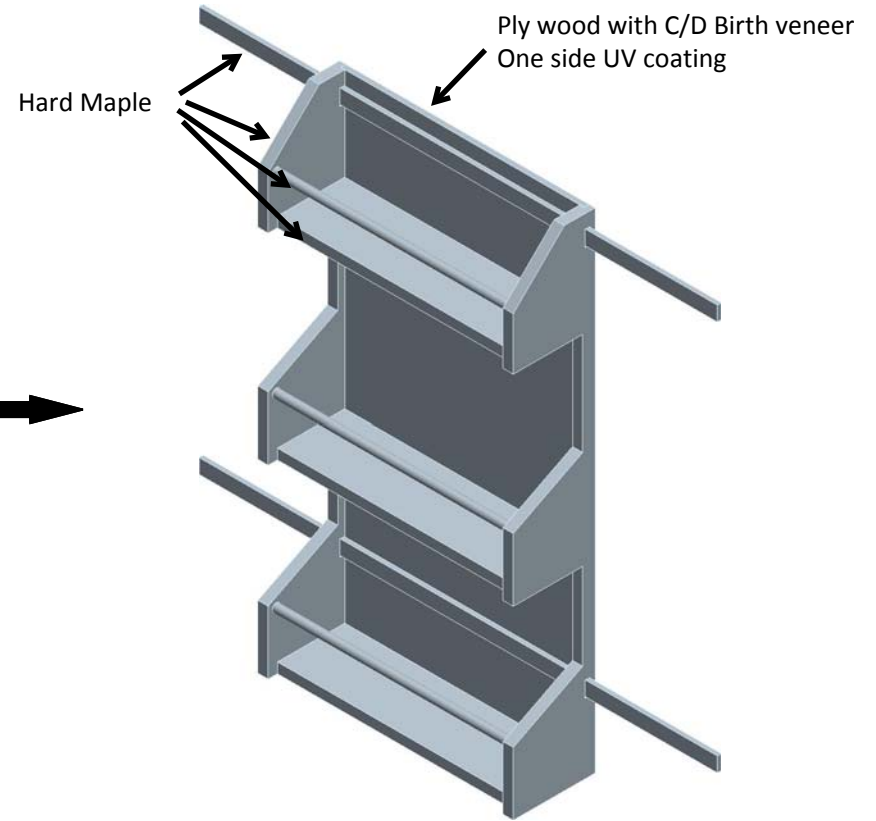
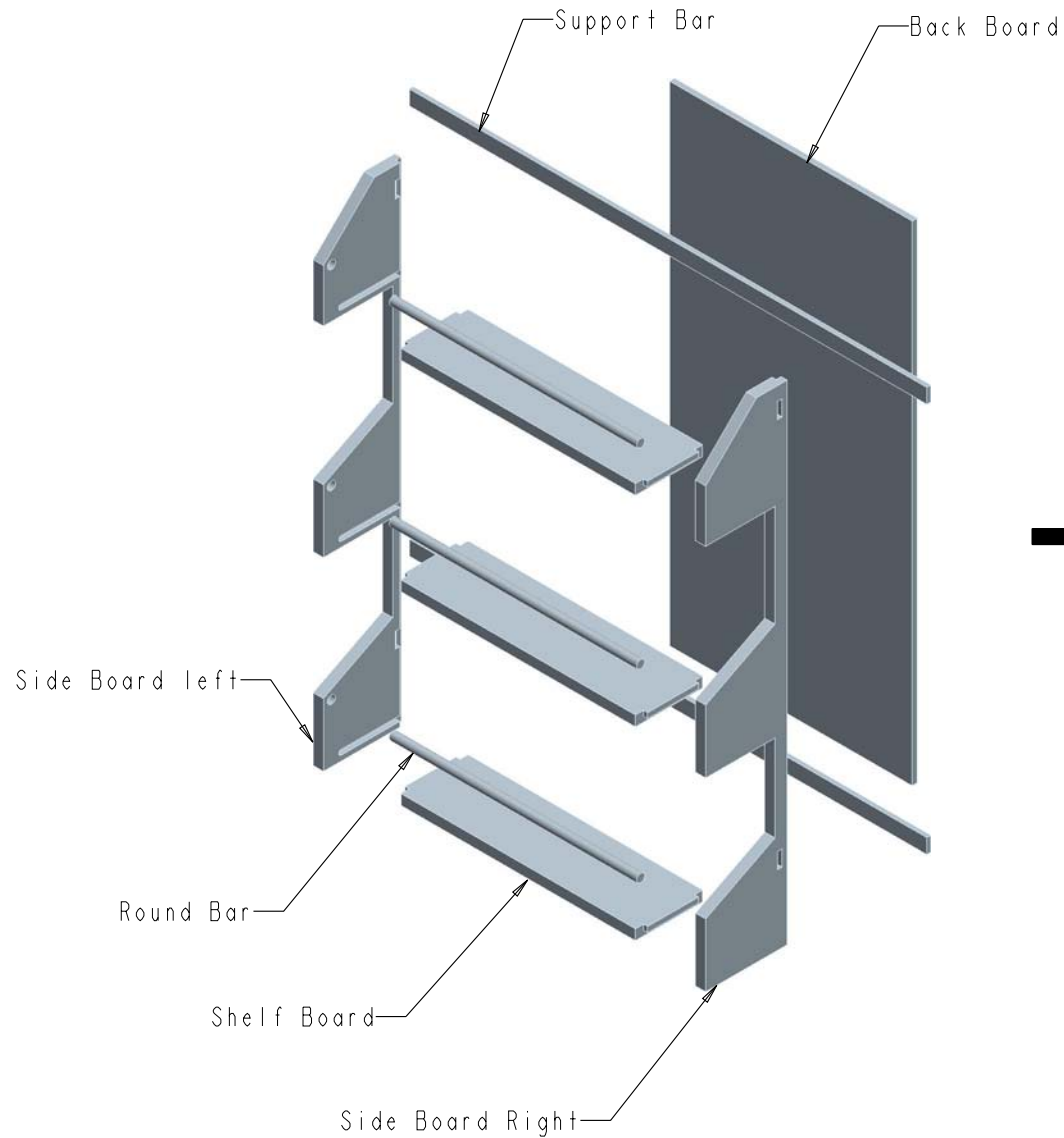


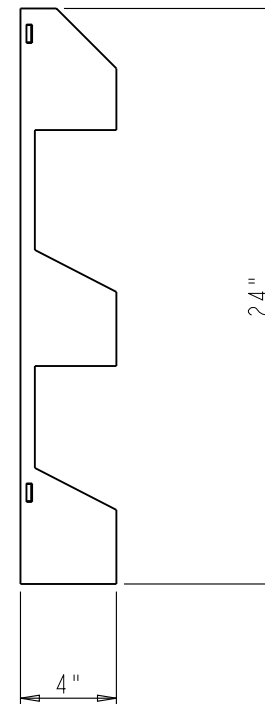
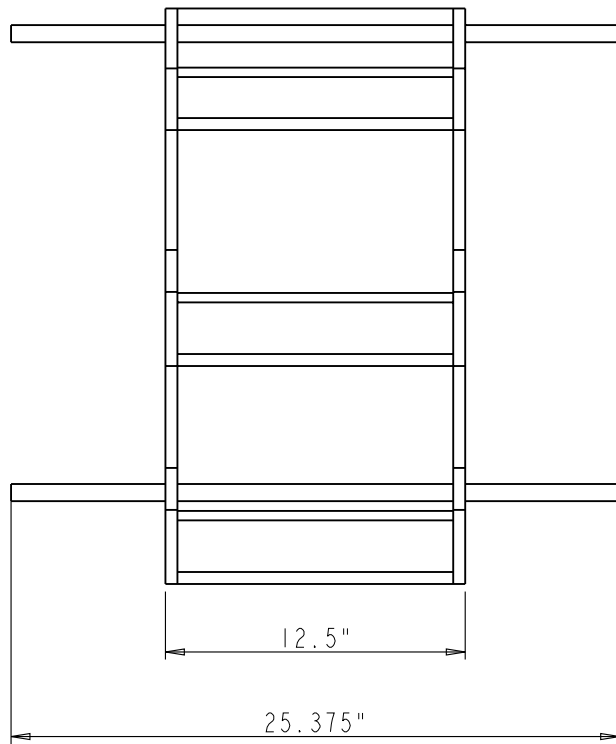
HARDWARE HR RESOURCES PROPRIETARY AND CONFIDENTIAL THE INFORMATION CONTAINED IN THIS DRAWING IS THE SOLE PROPERTY OF HARDWARE RESOURCES INC. ANY REPRODUCTION IN PART OR AS A WHOLE WITHOUT THE WRITTEN PERMISSION OF HARDWARE RESOURCES INC. IS PROHIBITED.	4319 MARLENA ST. BOSSIER CITY, LA71111	ITEM: SPR9	MATERIAL:
	FINISH:	WEIGHT:	9
TOLERANCE UNLESS OTHERWISE SPECIFIED: X : MM ±0.20 X.X : MM ±0.10 X.XX : MM ±0.05 ANGULAR: ±0.5° DO NOT SCALE DRAWING	UNIT:	DRAWN BY: <i>alan.liu</i>	DATE:
	SIZE:	CHECKED BY:	DATE:
		APPROVED BY:	DATE:



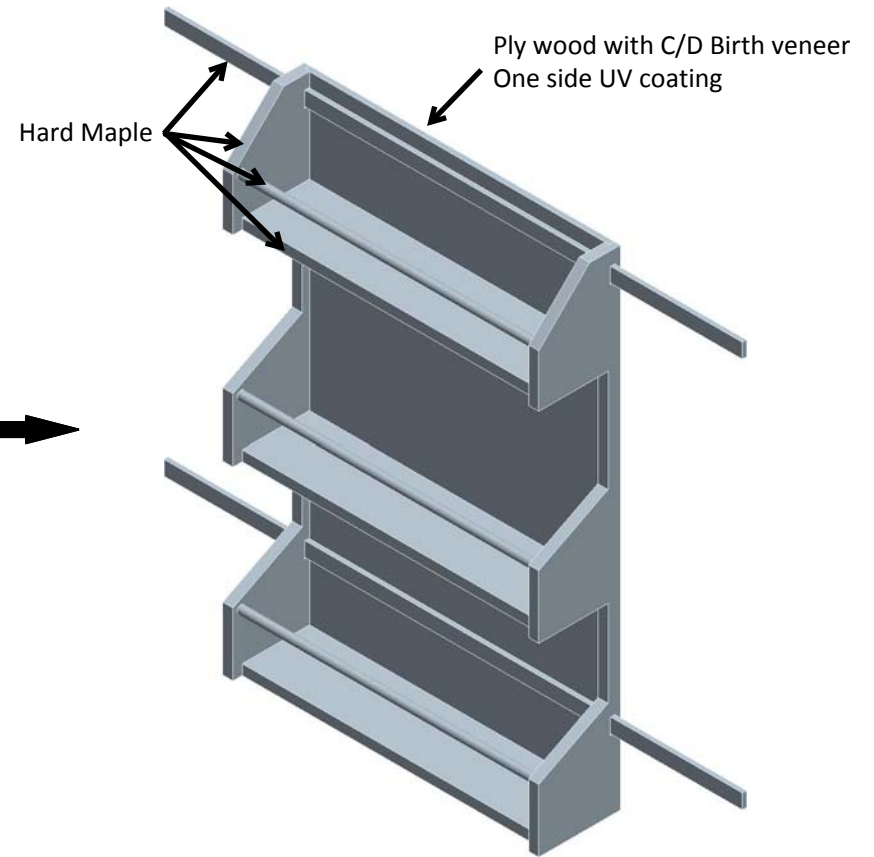
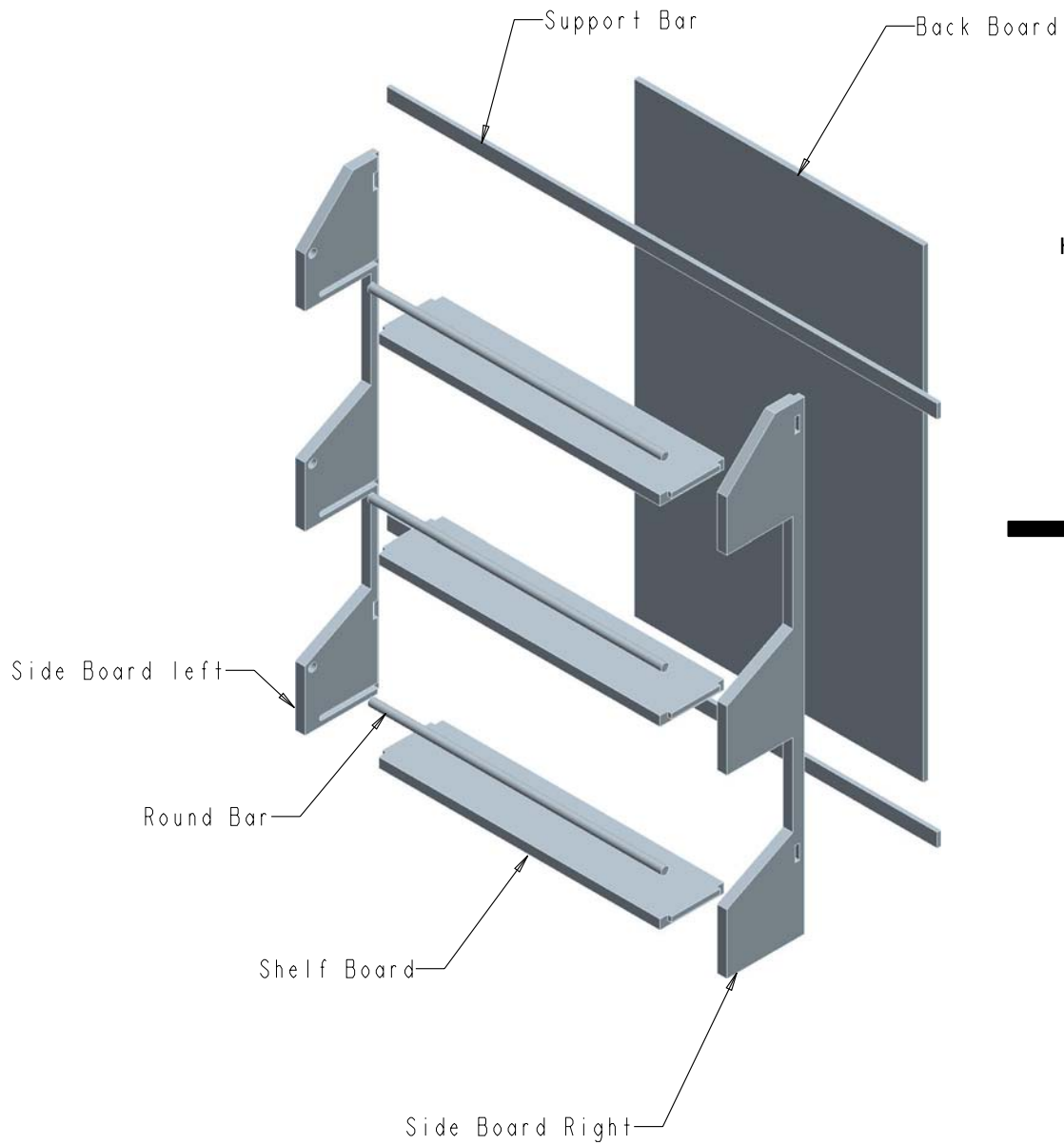
HARDWARE HR 4319 MARLENA ST. BOSSIER CITY, LA 71111 RESOURCES	ITEM#: SPR9	MATERIAL:
	FINISH:	WEIGHT: 9
PROPRIETARY AND CONFIDENTIAL THE INFORMATION CONTAINED IN THIS DRAWING IS THE SOLE PROPERTY OF HARDWARE RESOURCES INC. ANY REPRODUCTION IN PART OR AS A WHOLE WITHOUT THE WRITTEN PERMISSION OF HARDWARE RESOURCES INC. IS PROHIBITED.	TOLERANCE UNLESS OTHERWISE SPECIFIED: X : MM ±0.20 X.X : MM ±0.10 X.XX : MM ±0.05 ANGULAR : ±0.5° DO NOT SCALE DRAWING	PROJECTION:
UNIT:	DRAWN BY: <i>alan.liu</i>	DATE:
SIZE:	CHECKED BY:	DATE:
	APPROVED BY:	DATE:




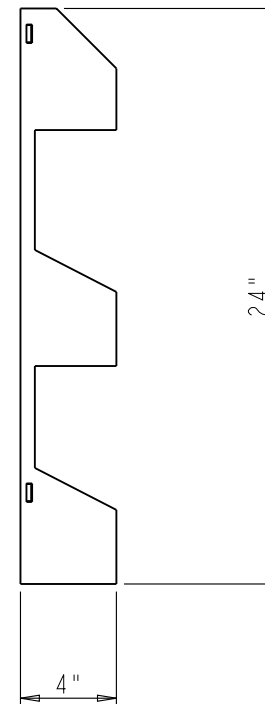
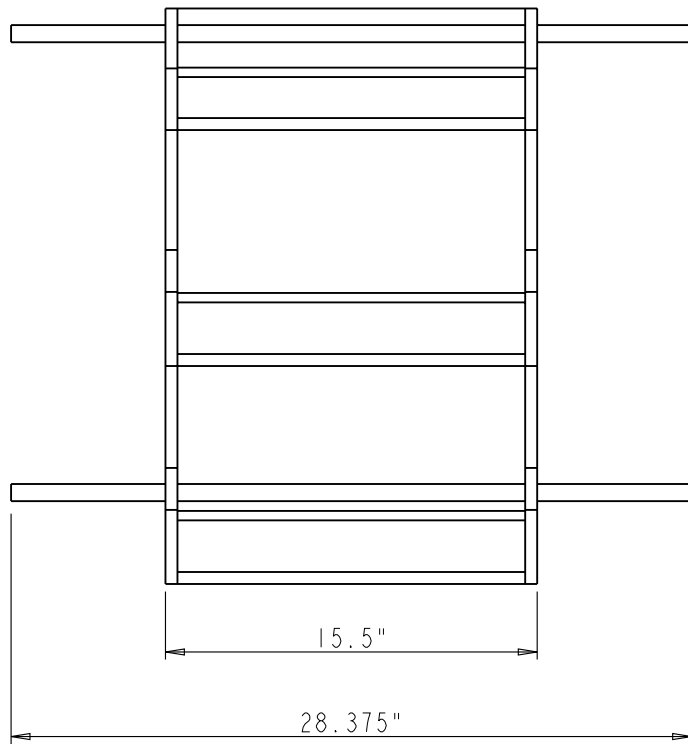
HARDWARE HR RESOURCES PROPRIETARY AND CONFIDENTIAL THE INFORMATION CONTAINED IN THIS DRAWING IS THE SOLE PROPERTY OF HARDWARE RESOURCES INC. ANY REPRODUCTION IN PART OR AS A WHOLE WITHOUT THE WRITTEN PERMISSION OF HARDWARE RESOURCES INC. IS PROHIBITED.	4319 MARLENA ST. BOSSIER CITY, LA71111	ITEM: SPR12	MATERIAL:
	FINISH:	WEIGHT:	9
TOLERANCE UNLESS OTHERWISE SPECIFIED: X : MM ±0.20 X.X : MM ±0.10 X.XX : MM ±0.05 ANGULAR: ±0.5° DO NOT SCALE DRAWING	UNIT:	DRAWN BY: <i>alan.liu</i>	DATE:
	SIZE:	CHECKED BY:	DATE:
		APPROVED BY:	DATE:



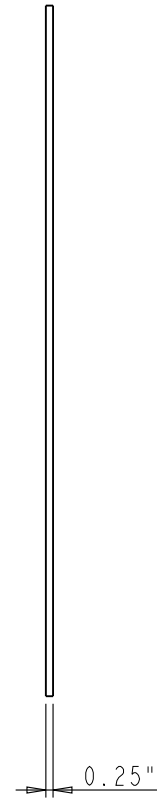
HARDWARE HR 4319 MARLENA ST. BOSSIER CITY, LA 71111 RESOURCES	ITEM#: SPR12	MATERIAL:
	FINISH:	WEIGHT: 9
PROPRIETARY AND CONFIDENTIAL THE INFORMATION CONTAINED IN THIS DRAWING IS THE SOLE PROPERTY OF HARDWARE RESOURCES INC. ANY REPRODUCTION IN PART OR AS A WHOLE WITHOUT THE WRITTEN PERMISSION OF HARDWARE RESOURCES INC. IS PROHIBITED.	TOLERANCE UNLESS OTHERWISE SPECIFIED: X : MM ±0.20 X.X : MM ±0.10 X.XX : MM ±0.05 ANGULAR : ±0.5° DO NOT SCALE DRAWING	PROJECTION:
UNIT:	DRAWN BY: <i>alan.liu</i>	DATE:
SIZE:	CHECKED BY:	DATE:
APPROVED BY:		DATE:



HARDWARE  4319 MARLENA ST. BOSSIER CITY, LA71111 RESOURCES <u>PROPRIETARY AND CONFIDENTIAL</u> THE INFORMATION CONTAINED IN THIS DRAWING IS THE SOLE PROPERTY OF HARDWARE RESOURCES INC. ANY REPRODUCTION IN PART OR AS A WHOLE WITHOUT THE WRITTEN PERMISSION OF HARDWARE RESOURCES INC. IS PROHIBITED	ITEM: SPR15	MATERIAL:
	FINISH:	WEIGHT: 9
TOLERANCE UNLESS OTHERWISE SPECIFIED: X : MM ±0.20 X.X : MM ±0.10 X.XX : MM ±0.05 ANGULAR : ±0.5° DO NOT SCALE DRAWING	UNIT:	DRAWN BY: <i>alan.liu</i>
SIZE:	CHECKED BY:	DATE:
APPROVED BY:		DATE:



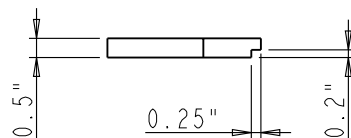
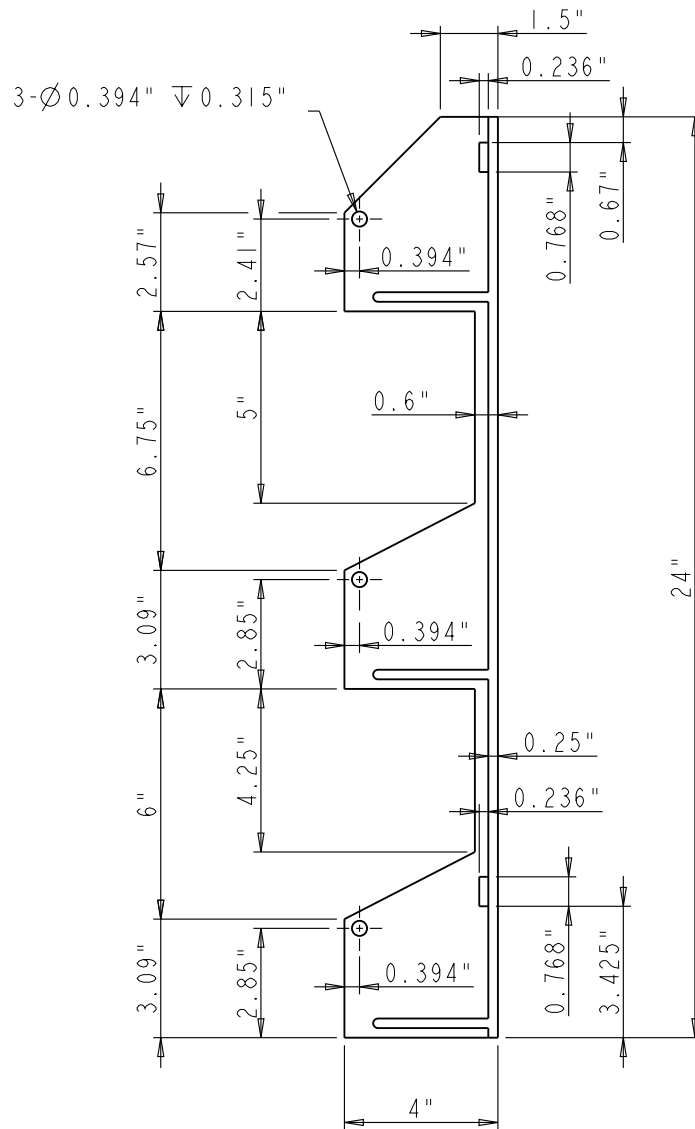
HARDWARE HR RESOURCES PROPRIETARY AND CONFIDENTIAL THE INFORMATION CONTAINED IN THIS DRAWING IS THE SOLE PROPERTY OF HARDWARE RESOURCES INC. ANY REPRODUCTION IN PART OR AS A WHOLE WITHOUT THE WRITTEN PERMISSION OF HARDWARE RESOURCES INC. IS PROHIBITED.	4319 MARLENA ST. BOSSIER CITY, LA71111	ITEM: SPR15	MATERIAL:
	FINISH:	WEIGHT: 9	PROJECTION:
TOLERANCE UNLESS OTHERWISE SPECIFIED: X : MM ±0.20 X.X : MM ±0.10 X.XX : MM ±0.05 ANGULAR: ±0.5° DO NOT SCALE DRAWING	UNIT:	DRAWN BY: <i>alan.liu</i>	DATE:
	SIZE:	CHECKED BY:	DATE:
		APPROVED BY:	DATE:



Note:

1. The dimension " L " of back board for SPR9 is 8.9";
2. The dimension " L " of back board for SPR12 is 11.9";
3. The dimension " L " of back board for SPR15 is 14.9";

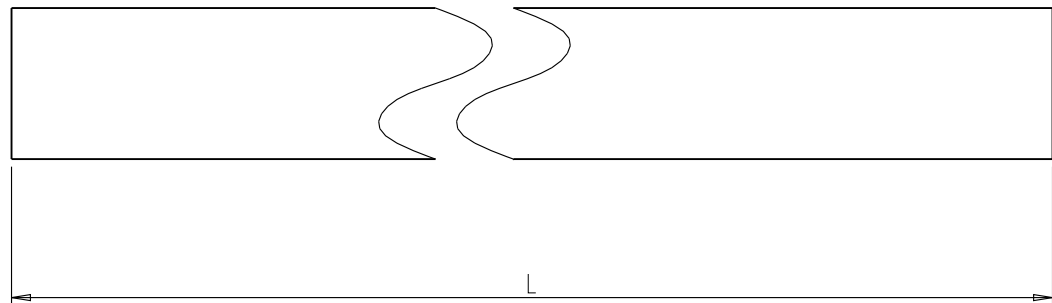
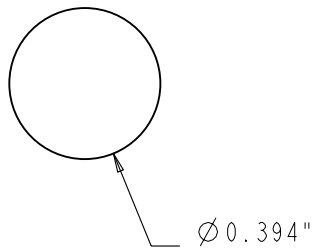
HARDWARE HR RESOURCES PROPRIETARY AND CONFIDENTIAL THE INFORMATION CONTAINED IN THIS DRAWING IS THE SOLE PROPERTY OF HARDWARE RESOURCES INC. ANY REPRODUCTION IN PART OR AS A WHOLE WITHOUT THE WRITTEN PERMISSION OF HARDWARE RESOURCES INC. IS PROHIBITED.	4319 MARLENA ST. BOSSIER CITY, LA71111	ITEM: BACK-BOARD	MATERIAL: Maple
	FINISH:	WEIGHT: 9	PROJECTION:
TOLERANCE UNLESS OTHERWISE SPECIFIED: X : MM ±0.20 XX : MM ±0.10 XXX : MM ±0.05 ANGULAR : ±0.5° DO NOT SCALE DRAWING	UNIT:	DRAWN BY: <i>alan.liu</i>	DATE:
	SIZE:	CHECKED BY:	DATE:
		APPROVED BY:	DATE:



Note:

1. The part " side board right " is a mirrored part of " side board left "

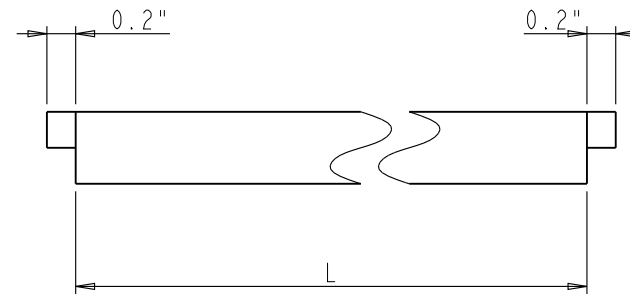
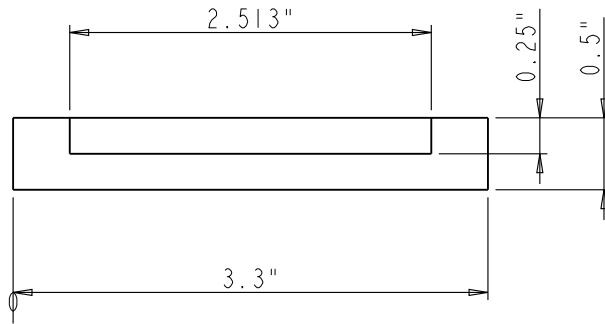
HARDWARE HR 4319 MARLENA ST. BOSSIER CITY, LA71111 RESOURCES PROPRIETARY AND CONFIDENTIAL THE INFORMATION CONTAINED IN THIS DRAWING IS THE SOLE PROPERTY OF HARDWARE RESOURCES INC. ANY REPRODUCTION IN PART OR AS A WHOLE WITHOUT THE WRITTEN PERMISSION OF HARDWARE RESOURCES INC. IS PROHIBITED	ITEM#: SIDE-BOARD-LEFT	MATERIAL: Maple
	FINISH:	WEIGHT: 9
TOLERANCE UNLESS OTHERWISE SPECIFIED: X : MM \pm 0.20 XX : MM \pm 0.10 XXX : MM \pm 0.05 ANGULAR: \pm 0.5° DO NOT SCALE DRAWING	UNIT: SIZE:	PROJECTION:
DRAWN BY: <i>alan.liu</i>	CHECKED BY:	DATE:
APPROVED BY:		DATE:



Note:

1. The dimension " L " of round bar for SPR9 is 9.13";
2. The dimension " L " of round bar for SPR12 is 12.13";
3. The dimension " L " of round bar for SPR15 is 15.13";

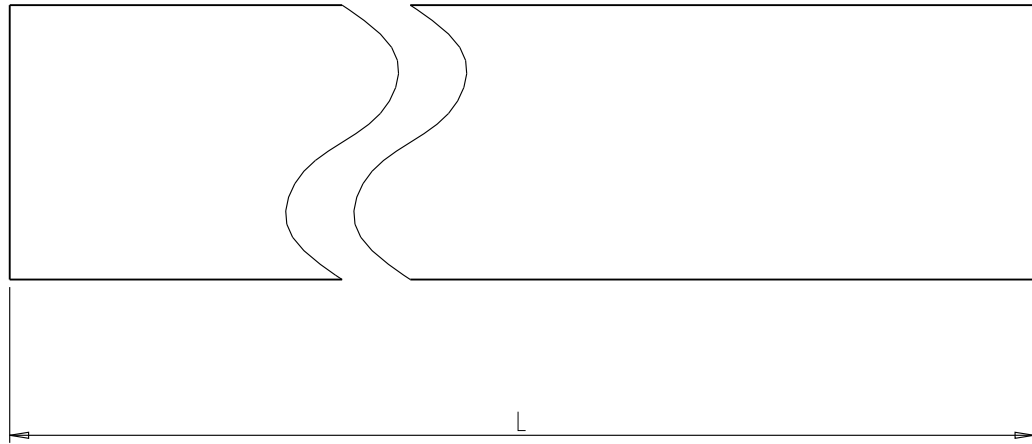
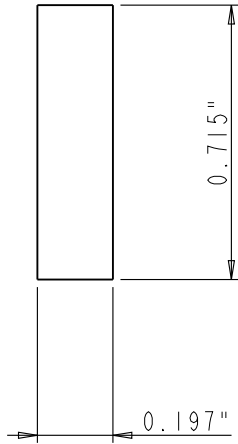
HARDWARE HR 4319 MARLENA ST. BOSSIER CITY, LA71111 RESOURCES <u>PROPRIETARY AND CONFIDENTIAL</u> THE INFORMATION CONTAINED IN THIS DRAWING IS THE SOLE PROPERTY OF HARDWARE RESOURCES INC. ANY REPRODUCTION IN PART OR AS A WHOLE WITHOUT THE WRITTEN PERMISSION OF HARDWARE RESOURCES INC. IS PROHIBITED	ITEM: ROUND-BAR	MATERIAL: Maple
	FINISH:	WEIGHT: g
		PROJECTION:
	TOLERANCE UNLESS OTHERWISE SPECIFIED: X : MM ±0.20 X.X : MM ±0.10 X.XX : MM ±0.05 ANGULAR: ±0.5° DO NOT SCALE DRAWING	UNIT:
	SIZE:	DRAWN BY: <i>alan.liu</i>
		CHECKED BY:
		DATE:
		APPROVED BY:
		DATE:



Note:

1. The dimension " L " of shelf board for SPR9 is 8.5";
2. The dimension " L " of shelf board for SPR12 is 11.5";
3. The dimension " L " of shelf board for SPR15 is 14.5";

HARDWARE HR 4319 MARLENA ST. BOSSIER CITY, LA 71111 RESOURCES	ITEM: SHELF-BOARD	MATERIAL: Maple
	FINISH:	WEIGHT: g
PROPRIETARY AND CONFIDENTIAL THE INFORMATION CONTAINED IN THIS DRAWING IS THE SOLE PROPERTY OF HARDWARE RESOURCES INC. ANY REPRODUCTION IN PART OR AS A WHOLE WITHOUT THE WRITTEN PERMISSION OF HARDWARE RESOURCES INC. IS PROHIBITED.	TOLERANCE UNLESS OTHERWISE SPECIFIED: X : MM ±0.20 X.X : MM ±0.10 X.XX : MM ±0.05 ANGULAR: ±0.5° DO NOT SCALE DRAWING	PROJECTION:
UNIT:	DRAWN BY: <i>alan.liu</i>	DATE:
SIZE:	CHECKED BY:	DATE:
	APPROVED BY:	DATE:



Note:

1. The dimension " L " of support bar for SPR9 is 22.375";
2. The dimension " L " of support bar for SPR12 is 25.375";
3. The dimension " L " of support bar for SPR15 is 28.375";

HARDWARE HR 4319 MARLENA ST. BOSSIER CITY, LA71111 RESOURCES <u>PROPRIETARY AND CONFIDENTIAL</u> THE INFORMATION CONTAINED IN THIS DRAWING IS THE SOLE PROPERTY OF HARDWARE RESOURCES INC. ANY REPRODUCTION IN PART OR AS A WHOLE WITHOUT THE WRITTEN PERMISSION OF HARDWARE RESOURCES INC. IS PROHIBITED	ITEM: SUPPORT-BAR	MATERIAL: Maple
	FINISH:	WEIGHT: g
TOLERANCE UNLESS OTHERWISE SPECIFIED: X : MM ±0.20 X.X : MM ±0.10 X.XX : MM ±0.05 ANGULAR : ±0.5° DO NOT SCALE DRAWING	UNIT:	PROJECTION:
DRAWN BY: <i>alan.liu</i>	CHECKED BY:	DATE:
APPROVED BY:		DATE: