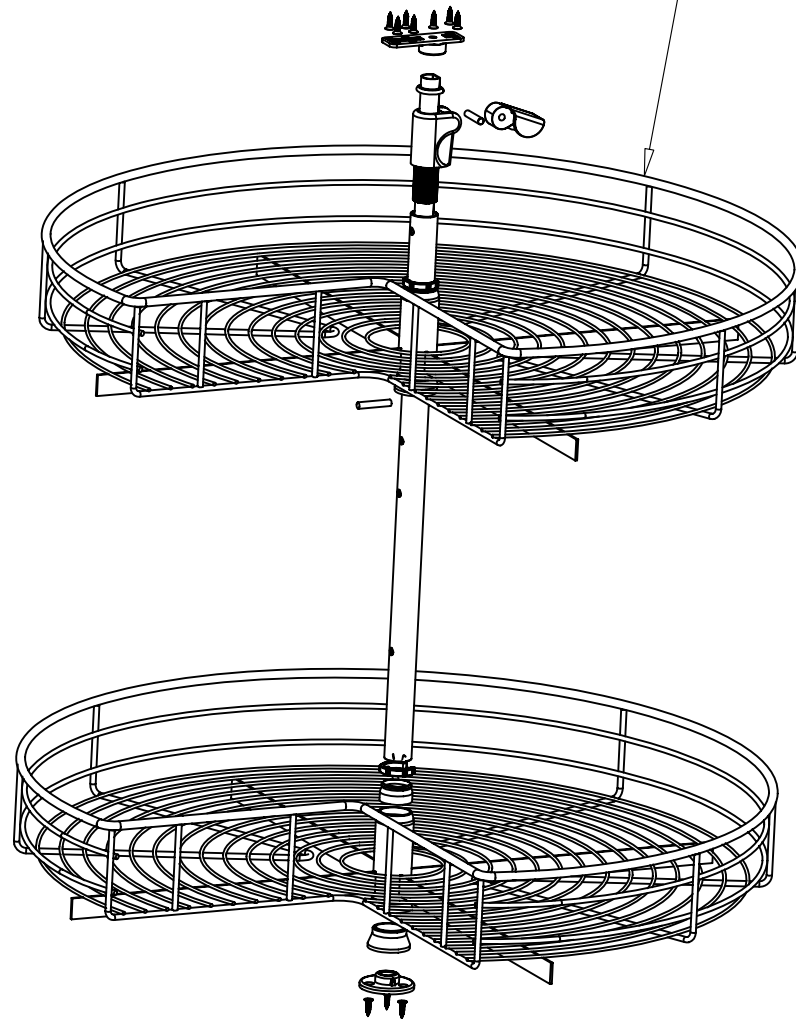

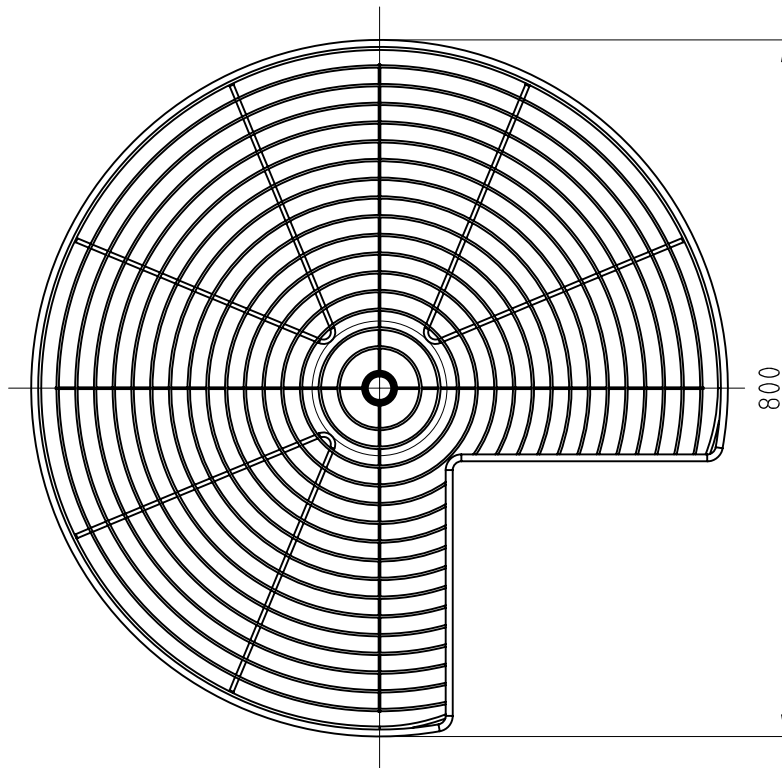
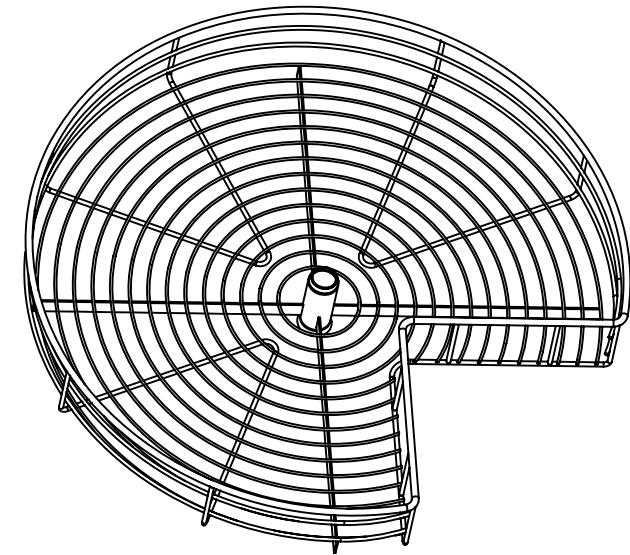
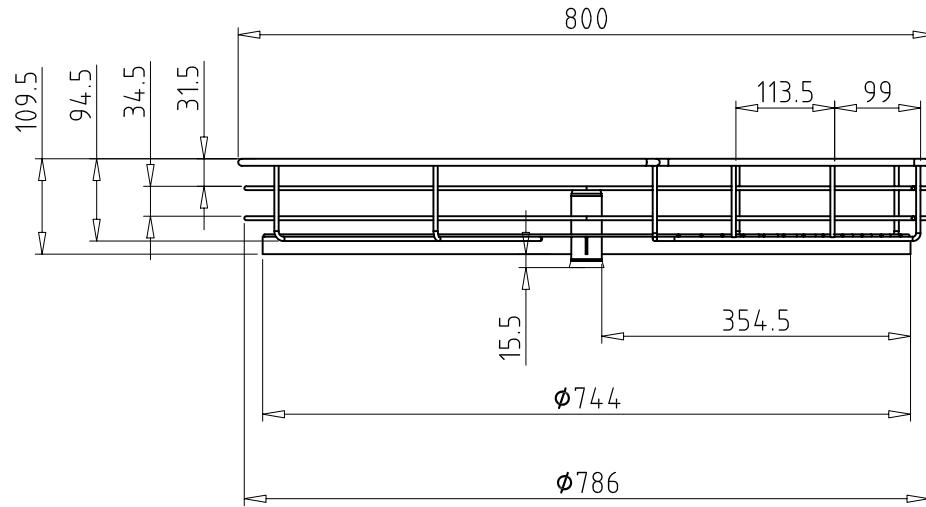


MLSK32PREM BASKET



	ITEM#:	MLSK32PREM		MATERIAL:	
	FINISH:			WEIGHT:	g
PROPRIETARY AND CONFIDENTIAL THE INFORMATION CONTAINED IN THIS DRAWING IS THE SOLE PROPERTY OF HARDWARE RESOURCES INC. ANY REPRODUCTION IN PART OR AS A WHOLE WITHOUT THE WRITTEN PERMISSION OF HARDWARE RESOURCES INC. IS PROHIBITED.	TOLERANCE UNLESS OTHERWISE SPECIFIED:		UNIT:	DRAWN BY:	DATE:
	X.: MM ±0.20		SIZE:	<i>alan. luv</i>	DATE:
	X.X: MM ±0.10				
	X.XX: MM ±0.05				
ANGULAR: ±0.5°		APPROVED BY:	DATE:		
DO NOT SCALE DRAWING					



	ITEM#:	MLS32PREM BASKET		MATERIAL:
	WEIGHT:	g		
PROPRIETARY AND CONFIDENTIAL THE INFORMATION CONTAINED IN THIS DRAWING IS THE SOLE PROPERTY OF HARDWARE RESOURCES INC. ANY REPRODUCTION IN PART OR AS A WHOLE WITHOUT THE WRITTEN PERMISSION OF HARDWARE RESOURCES INC. IS PROHIBITED.	PROJECTION:			
	TOLERANCE UNLESS OTHERWISE SPECIFIED:	UNIT:	DRAWN BY:	DATE:
X.: MM ± 0.20	SIZE:	CHECKED BY:	DATE:	
X.X: MM ± 0.10				
X.XX: MM ± 0.05	APPROVED BY:	DATE:		
ANGULAR: $\pm 0.5^\circ$	DO NOT SCALE DRAWING			